



SERVICE PARTS LIST

BULLETIN NO.
54-05-0051

SPECIFY CATALOG NO. AND SERIAL NO. WHEN ORDERING PARTS		REVISED BULLETIN 54-05-0050	DATE Aug. '97
9 GALLON WET OR DRY VACUUM CLEANER		WIRING INSTRUCTION	
CATALOG NO.	8938-20	STARTING SERIAL NO.	SERIES S-2
		58-01-1160	

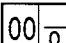
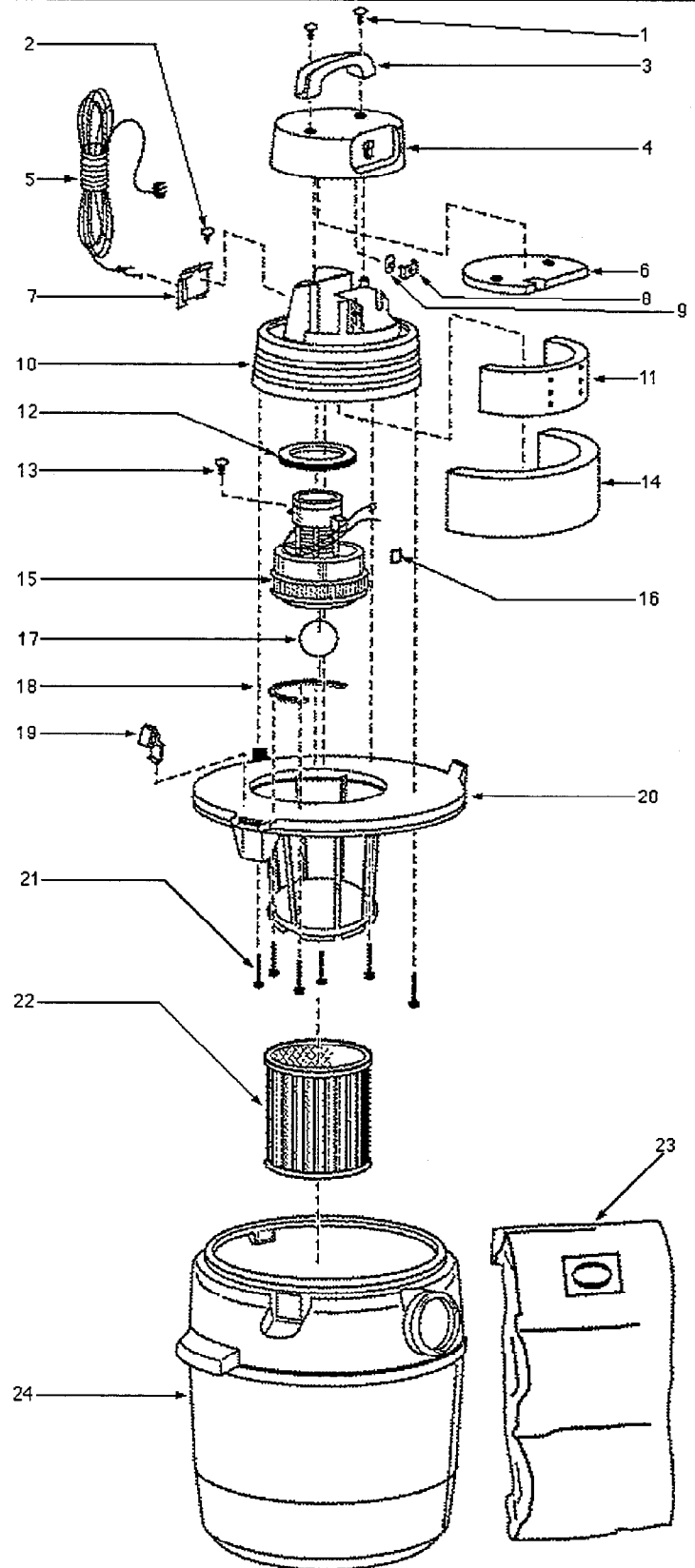
EXAMPLE:
 Component Parts (Small #) Are Included
 When Ordering The Assembly (Large #).

FIG.	PART NO.	DESCRIPTION OF PART	NO. REQ.
1	06-81-5010	1/4 x 3/4 Type AB Screw	2
2	06-81-5390	8 x 1/2 Type AB Screw	1
3	43-62-1185	Handle	1
4	31-15-0520	Motor Housing Cover	1
5	22-64-5066	Cord	1
6	43-84-0880	Cover Insert	1
7	44-76-0300	Cord Retainer	1
8	23-33-0480	Switch Box	1
9	23-66-2540	Switch	1
10	31-50-5030	Motor Housing	1
11	43-76-0630	Inner Form Insert	1
12	43-44-1050	Upper Motor Gasket	1
13	06-95-4000	10-24 x 1/2 Ground Screw	1
14	43-76-0640	Outer Form Insert	1
★ 15	23-30-0166	Motor	1
16	22-56-0160	Wire Connector	1
17	42-46-0100	Ball Float	1
18	43-44-1060	Lower Motor Gasket	1
19	42-68-0690	Lid Latch	3
20	42-92-1120	Lid Cage Assembly	1
21	06-95-4010	10 x 24 Type AB Screw	6
22	49-90-1830	Cartridge Filter	1
23	49-90-0445	High Efficiency Filter (5) Pack	1
24	42-51-0440	Tank Assembly	1
25	42-52-1030	Drain Cap	1
	49-90-0286	Poly Filter	1
	10-20-8936	French Warning Label	1
	10-20-8938	Spanish Warning Label	1
	10-15-1610	Cord Danger Label	1
★	12-99-8939	Service Nameplate	1
★	22-18-0195	Carbon Brush Set	1
	49-90-0155	Hose Adapter	1



SEE REVERSE SIDE FOR DOLLY
SERVICE PARTS

MILWAUKEE ELECTRIC TOOL CORPORATION
13135 W. LISBON RD., BROOKFIELD, WI 53005

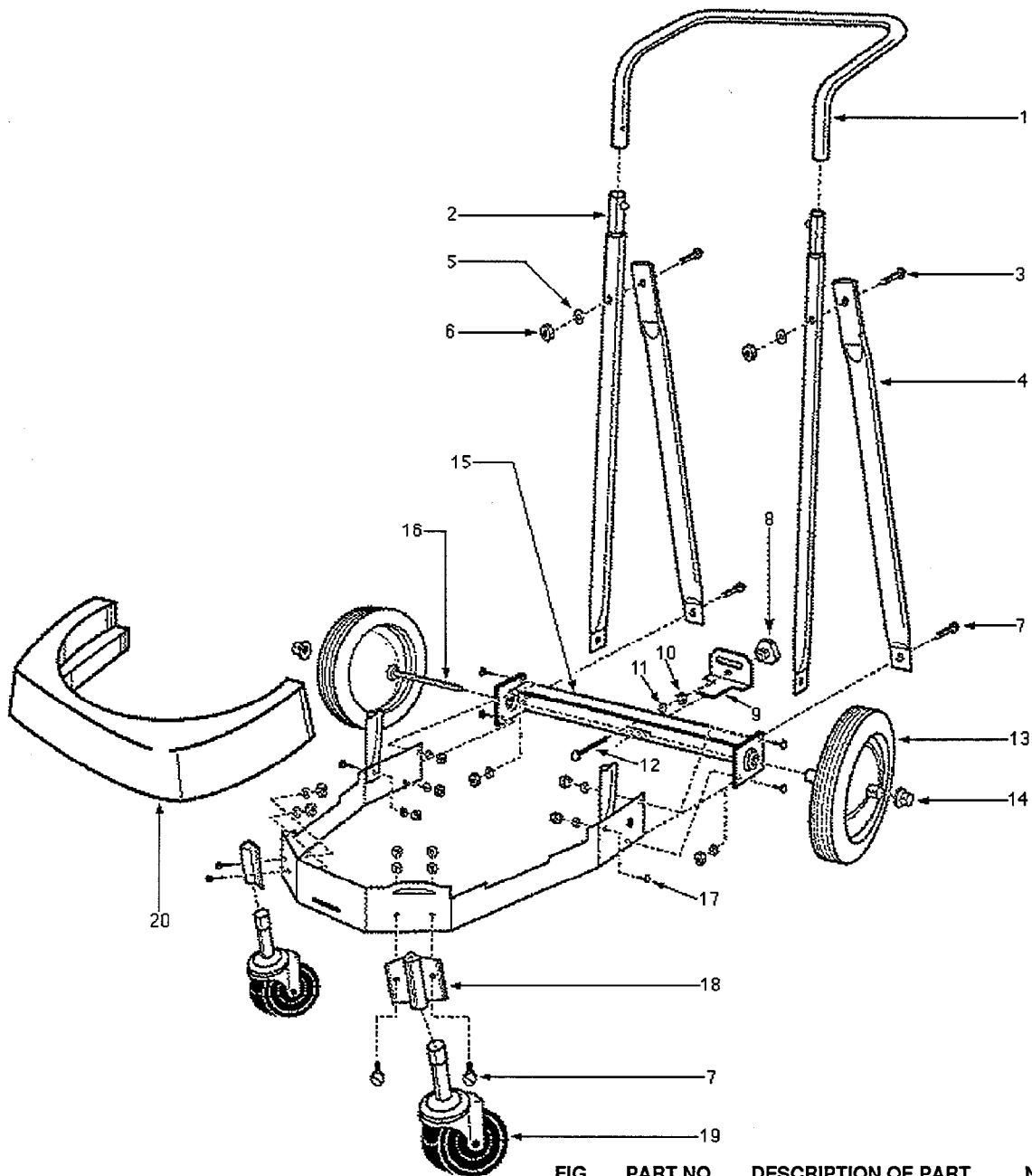


FIG.	PART NO.	DESCRIPTION OF PART	NO. REQ.
1	43-62-1190	Push Handle	1
2	43-62-1195	Handle Upright	2
3	06-75-0205	1/4-20 x 1-3/8 Hex Hd Screw	2
4	43-62-1200	Handle Brace	2
5	06-97-5600	1/4 Lockwasher	14
6	06-55-1525	1/4-20 Hex Nut	14
7	06-75-0090	1/4-20 x 5/8 Cap Screw	12
8	43-98-0640	Threaded Knob	1
9	42-36-1820	Tank Retaining Bracket	1
10	06-55-1987	5/16-18 Hex Nut	1
11	06-97-4100	5/16 Split Lockwasher	1
12	06-75-0345	5/16-18 x 2-1/2 Bolt	1
13	45-94-0405	10" Wheel	2
14	42-52-0270	Cap Nut	2
15	43-40-0330	Rear Dolly Frame	1
16	42-12-0200	Axle	1
17	43-40-0340	Main Dolly Frame	1
18	45-34-0130	Caster Socket	2
19	45-94-0410	Caster	2
20	42-38-0260	Bumper	1
	42-51-0250	Tool Basket	1